

DC1500V FUSE AND FUSE HOLDER SPECIFICATION

1. Application

This series of fuse is suitable for solar photovoltaic power generation system, rated voltage to 1500V, rated current to 50A, connected with photovoltaic panels and batteries, to charge variable flow system for short circuit breaking protection in photovoltaic station and photovoltaic power generation system. The rated breaking capacity is 20KA, products conform to IEC60269.6

2. Normal Working Conditions

Ambient Temperature: -40°C - + 90°C

Equipment installation height: less than 2000m

(if you want use exceeding this height, pls tell us in advance, we can design according to your requirements)

3. Use Category

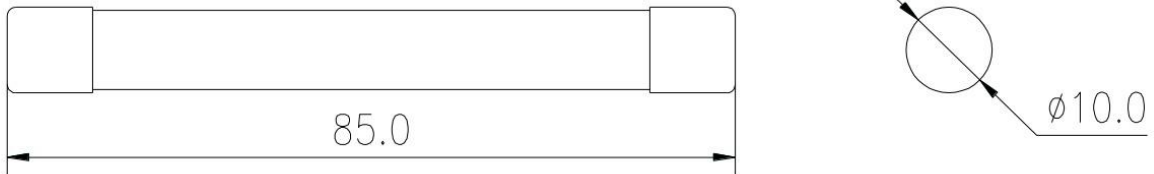
All range DC Fuse used for breaking protection in solar photovoltaic power generation system.

4. Structure

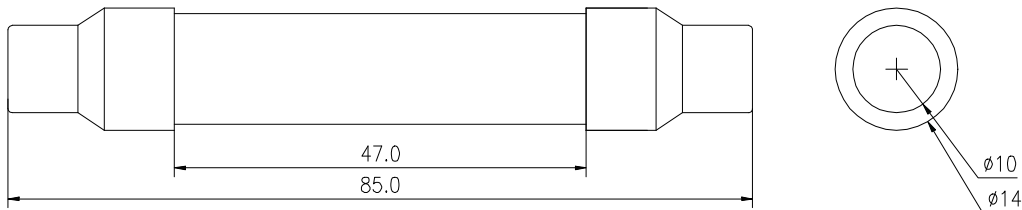
Fuse Link is made of pure silver, welding low tin and encapsulated in the high-strength porcelain, the fuse tube filled with high pure quartz sand with chemically processed as an arc medium, fuse body is connected with contacting terminals by spot welding.

MAXGE ELECTRIC TECHNOLOGY CO., LTD.

5. Main Technical Specification

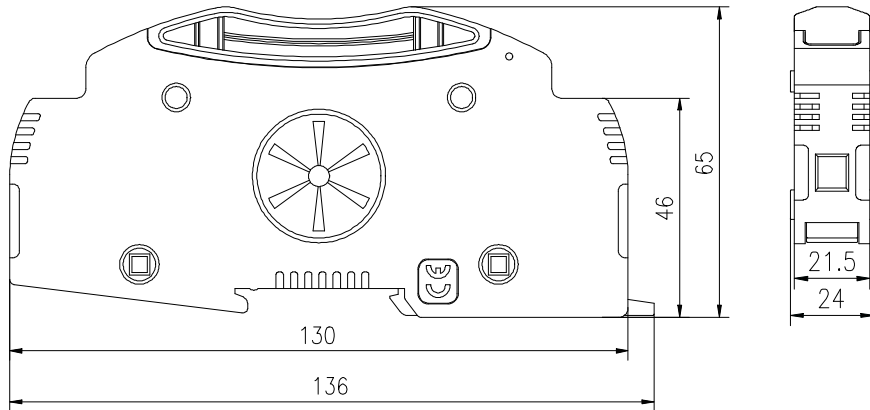


Model	Rated Voltage	Rated Current	Class of Operation	SIZE (mm)
SGF-32	DC 1500V	2A-32A	gPV	10X85 See Above Drawing
	Standard	Breaking Capacity	Time Constant	
	IEC60269	20kA	1-3ms	



Model	Rated Voltage	Rated Current	Class of Operation	SIZE (mm)
SGF-63	DC 1500V	8A-50A	gPV	14X85 See Above Drawing
	Standard	Breaking Capacity	Time Constant	
	IEC60269	20kA	1-3ms	

MAXGE ELECTRIC TECHNOLOGY CO., LTD.



Model	Rated Voltage	Rated Current	Class of Operation	SIZE (mm)
SGF-63	DC 1500V	50A	gPV	See Above Drawing
	Standard	Wire Range	Torque	
	IEC60269/IEC60947	1-16mm ²	2.5Nm	

MAXGE ELECTRIC TECHNOLOGY CO., LTD.

6. Testing Method:

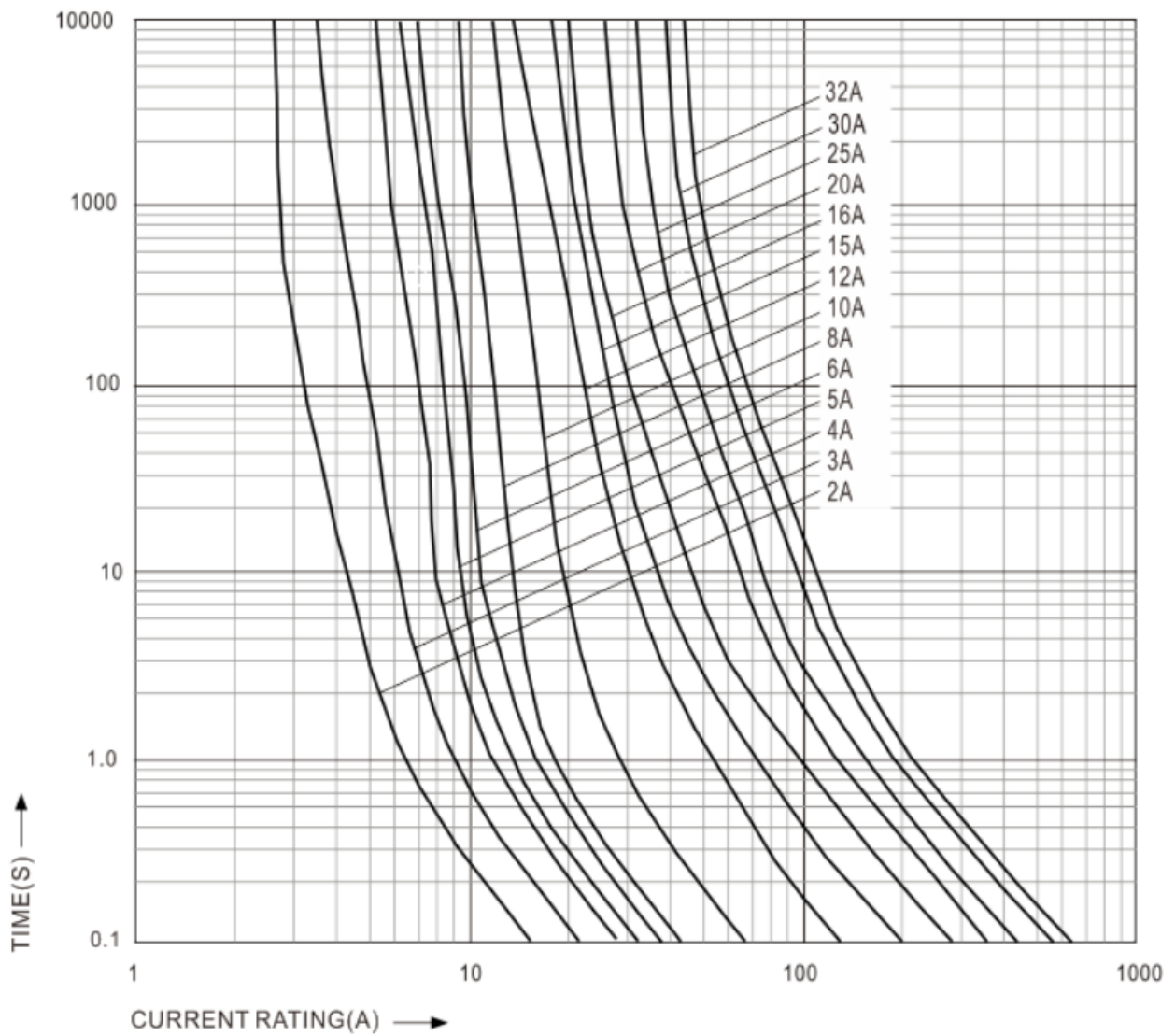
Appointed time and current

The appointed time and current of Fuse

Fuse current rated (A)	Appointed Time h	Appointed Current	
		Inf	If
$I_n \leq 63$	1	1.13I _n	1.45I _n
$63 < I_n \leq 160$	2		
$160 < I_n \leq 400$	3		
$I_n > 400$	4		

MAXGE ELECTRIC TECHNOLOGY CO., LTD.

7. Characteristic Curve:



MAXGE ELECTRIC TECHNOLOGY CO., LTD.

